

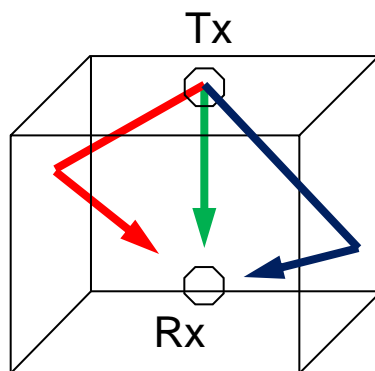
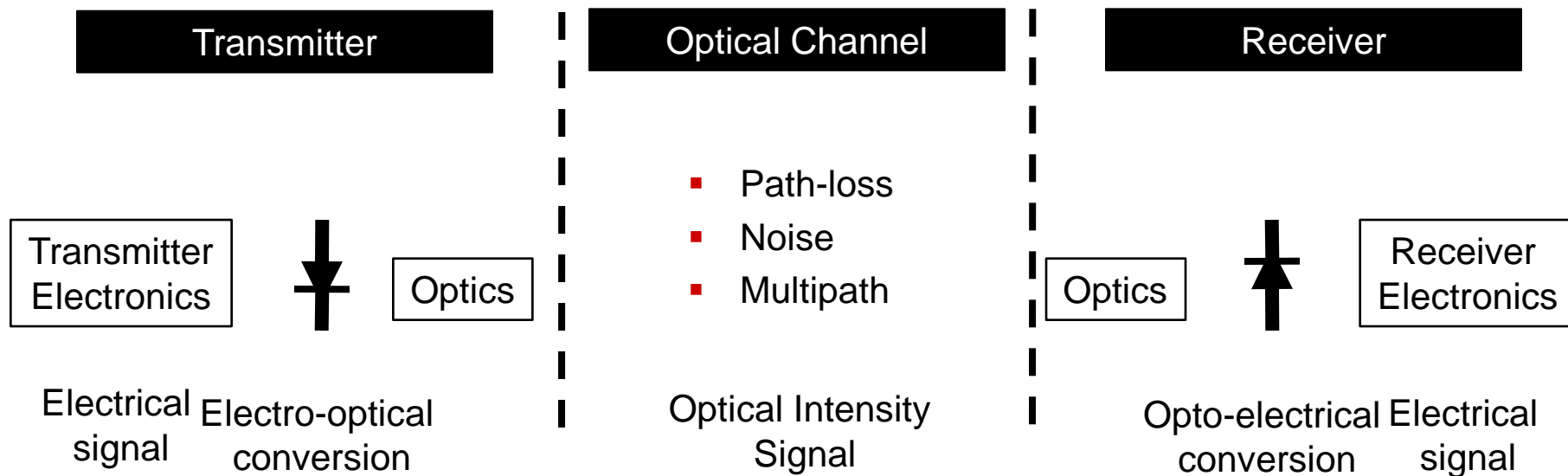
Lab 5: Visible Light Data Communication

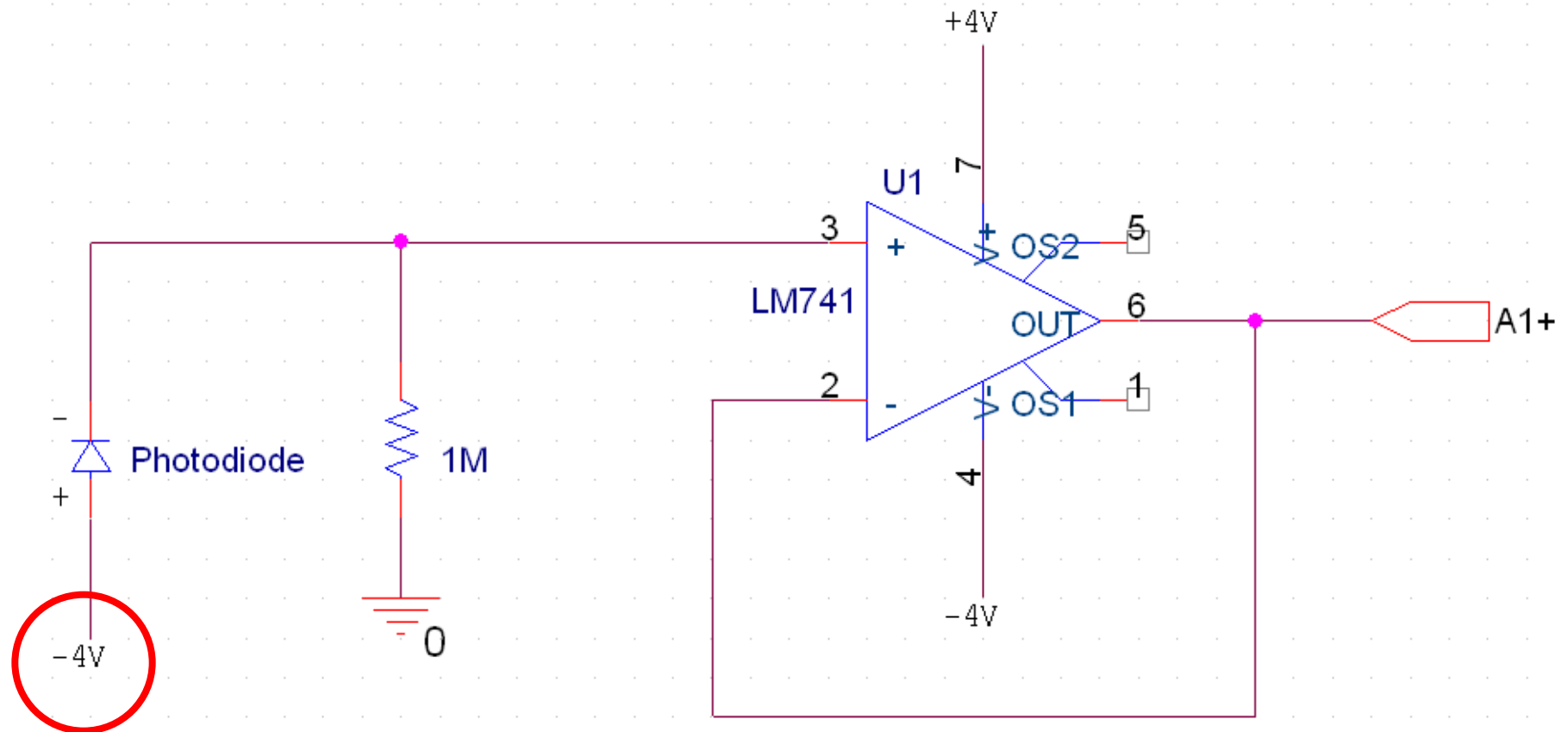
SUMMER CHALLENGE COURSE SMART LIGHTING

Ayse Coskun
acoskun@bu.edu

Optical Modulation:

- Intensity-Modulation (IM) and Direct-Detection (DD)





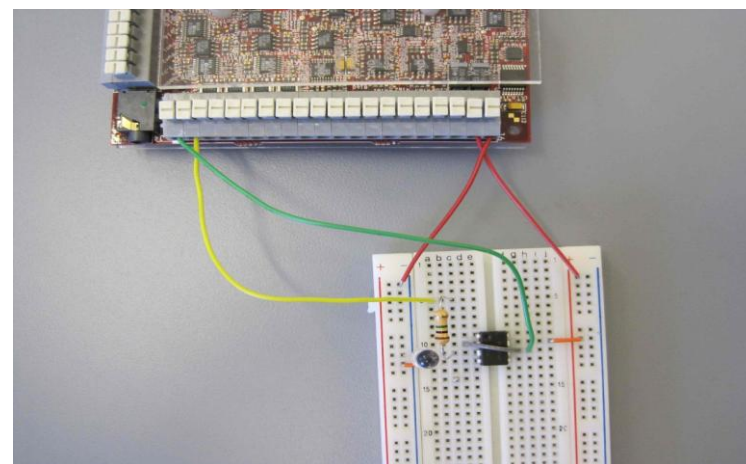
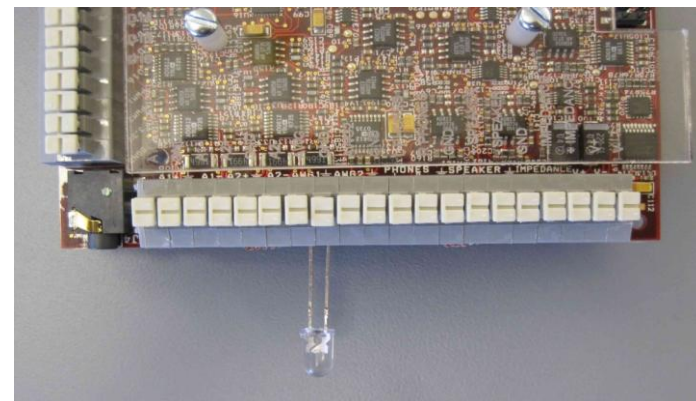
Ambient light: refers to sources of light that are already available naturally (e.g. the sun) or artificial (e.g. to light a room).

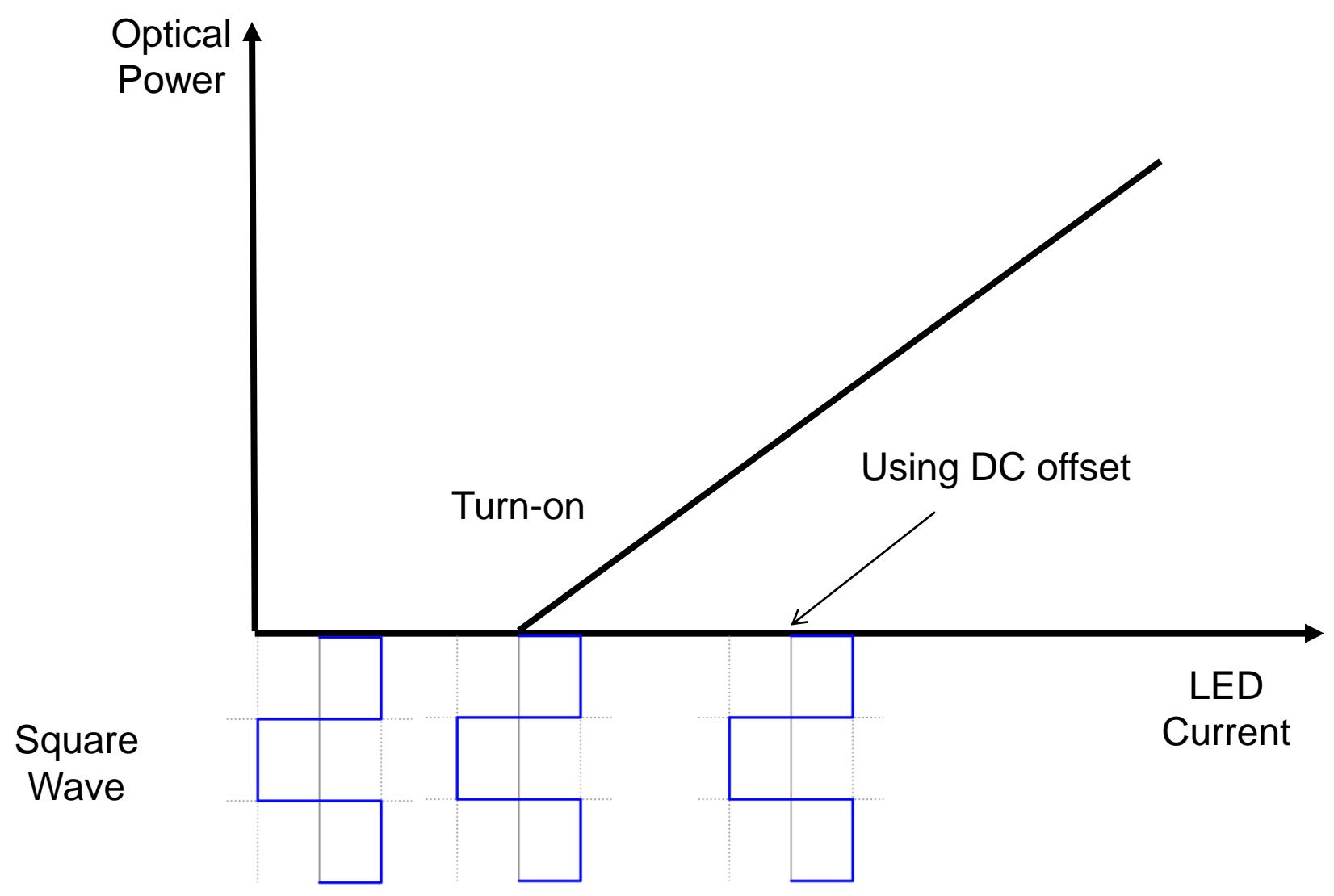
Free Space Optical Communication

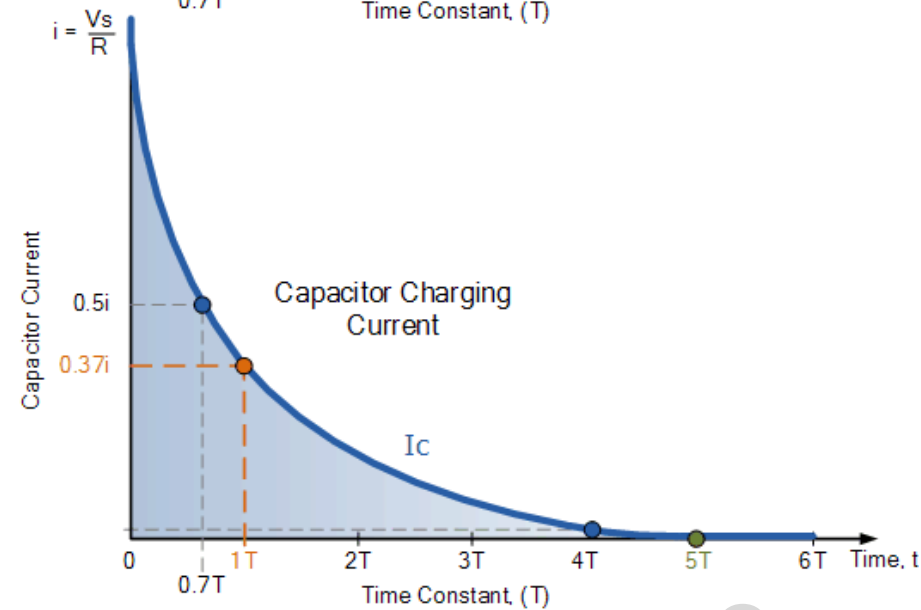
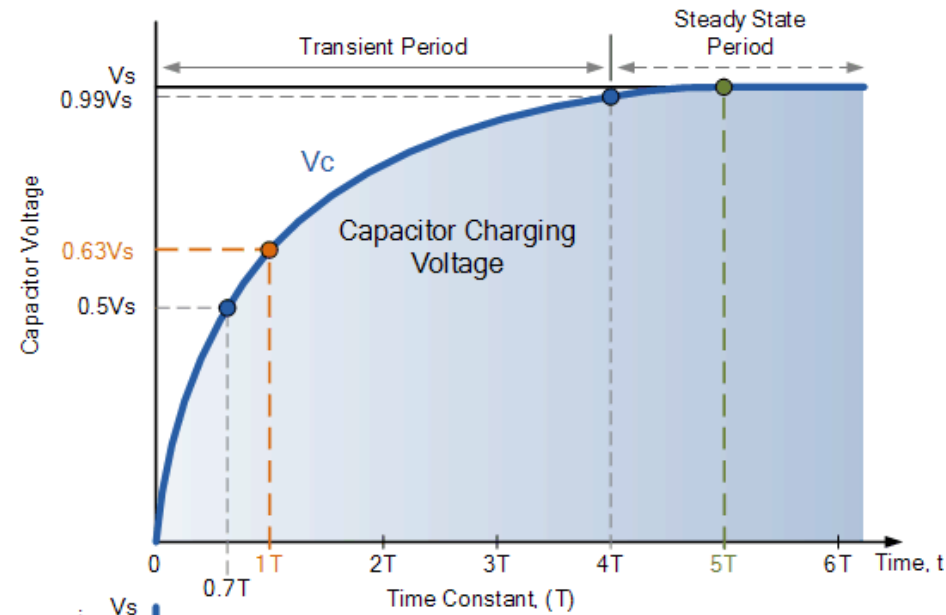
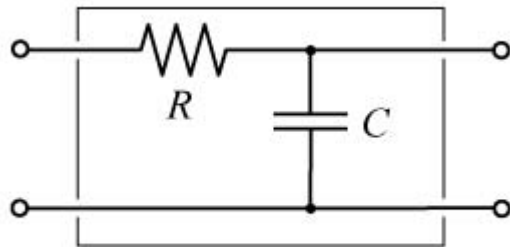
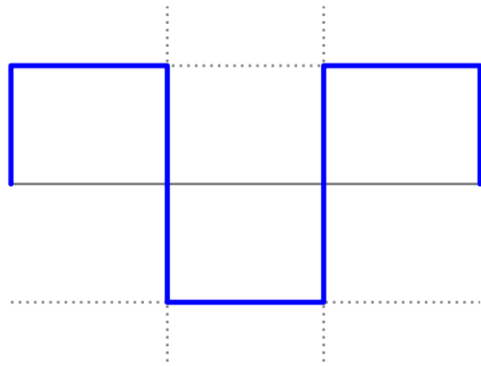
- Air, outer space, vacuum, ...



- Alternatives:
 - Optical fiber, transmission line
- Check out “heliograph” (wiki)







Visible Light Spectrum, Spectrum Analyzer

- Simple spectrometer:
 - Using a CD
 - Spectrum analyzer:
 - Magnitude vs. frequency
 - What frequencies can you transmit well in your VLC setup?
 - Power, gain?
- Gain = $10 \log (P_{out}/P_{in})$ dB**

